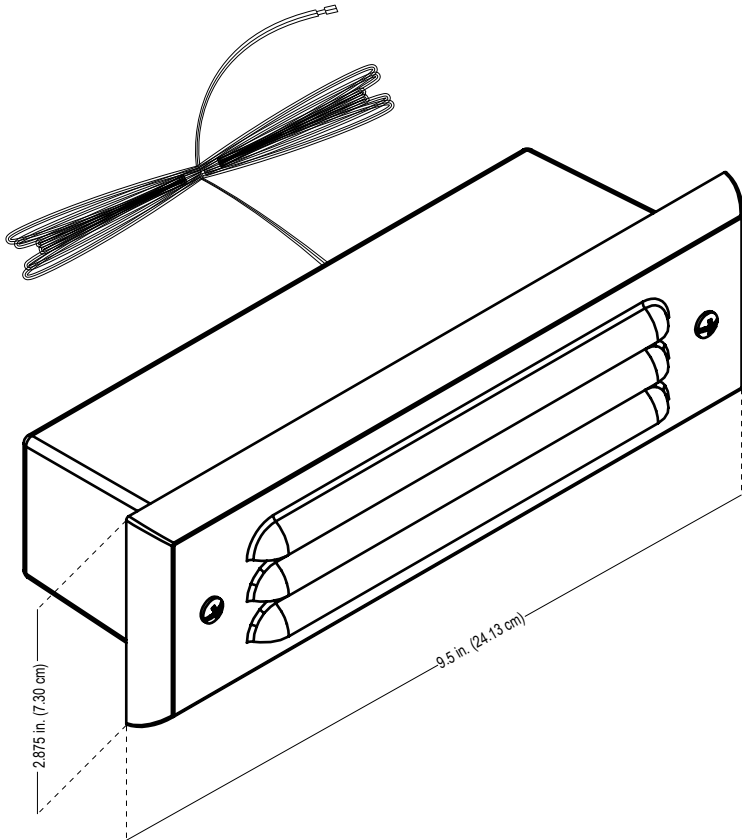


# ALLIANCE

## Specification Sheet

### Model: SL300 (Step Light)

Fixture Height: 2.875 in. (7.30 cm)  
 Fixture Width: 9 in. (22.86 cm)



Notes:

Project:
Type:

#### Specifications and Features:

**Body:** Brass fixture, aged brass finish

**Face plate:** Solid brass louvered face plate with securing screws and clear glass lens

**Socket:** Two spring loaded ceramic bi-pin sockets with dual contact

**Wire:** 25' Foot wire lead, 16 awg (UL listed), brown, Pre-connected to the fixture, Pre-stripped for easy wire connection

**Warranty:** Lifetime warranty on fixture housing

**Certifications:** Complies with the requirements of UL-1838 and CAN/CSA-C22.2 No. 250.7. Identified with the ETL and cETL Listed Mark.



#### Lamp Options

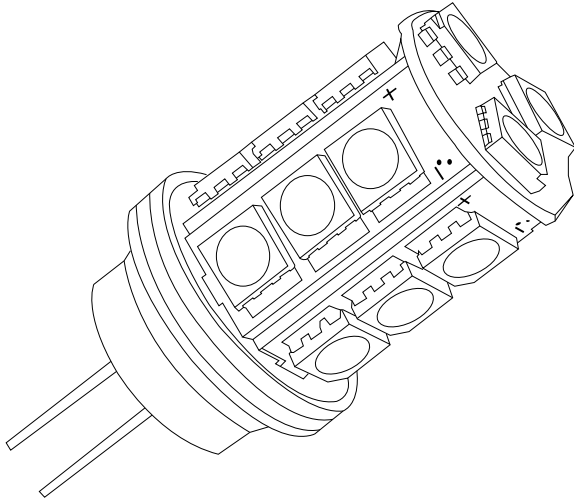
Model #	Base Type	Wattage	Lumen Output
LBIPIN-LED-3W	BIPIN/G4	3w	150lm
(Two) LBIPIN-LED-3W	BIPIN/G4	3w each	150lm each
LXELOGEN-20 (Halogen)	BIPIN/G4	20w	150lm

LED Ordering Guide: Model-LED

Example: SL300-LED or SL300-LED2

Project:
Type:

### Model: LBIPIN-LED-3W (3 watt BIPIN LED)



#### Specifications and Features:

- Watts:** 3
- Base Type:** G4/BiPin
- Light Output:** 150 lumens
- Color:** Warm White
- Color Temperatures:** 2700K
- Operating Voltage:** 8-24v
- CRI:** Ra>80
- LED Chip Qty:** 18 Pieces
- Halogen Equivalent:** 20w
- Rated Hours:** 50,000 hrs
- Ambient Operating Temperature:** <72°C
- Transformer Compatibility:** Must be powered by magnetic transformer
- Warranty:** Five year limited warranty on LED components

#### Lamp Color Options

Model #	Color	Color Temp.	Base Type	Wattage	Lumen Output
LBIPINLED-3W-3K	Bright White	3000K	BIPIN/G4	3w	150lm
LBIPIN-LED-3W-AMBER*	Amber	Amber	BIPIN/G4	3w	150lm

\*Turtle Safe

Notes: