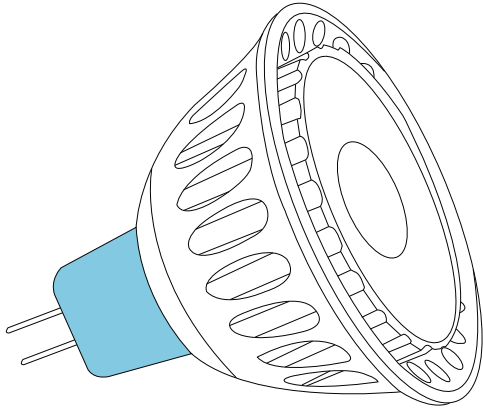


Project:
Type:

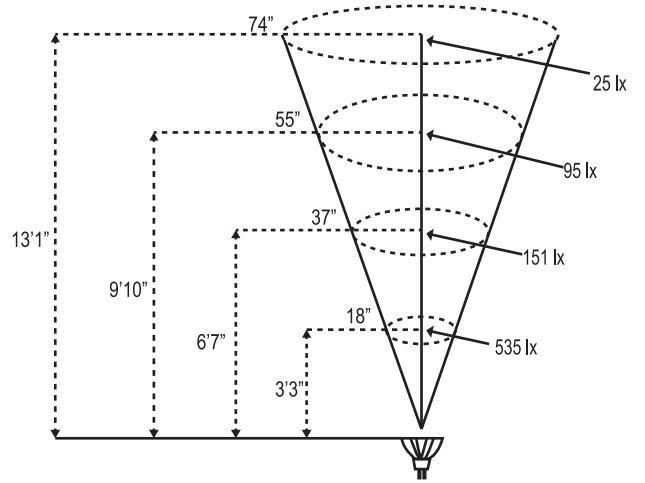
Model: LMR16-LED-6W-2700K (MR16 LED)

Specifications and Features:



- Base:** MR16
- Watts:** 6
- Beam Angle:** 45°
- Beam Spread:** Flood
- Light Output:** 410 lumens
- Color:** Warm White
- Color Temperature:** 2700K
- Operating Voltage:** 8-24v
- CRI:** Ra>80
- Halogen Equivalent:** 50w
- Rated Hours:** 50,000 hrs
- Ambient Operating Temperature:** <72°C

Photometrics:



Notes: