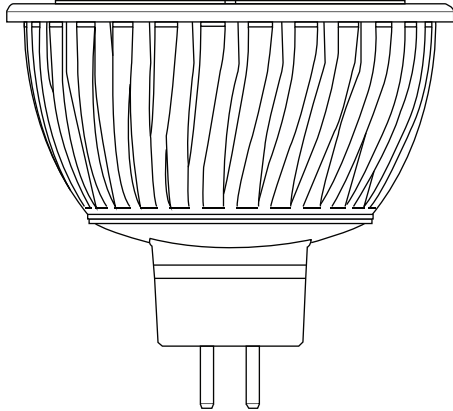


Project:
Type:

Model: E-LMR16-LED-4W-F (MR16 LED)



Specifications and Features:

- Base:** MR16
- Watts:** 4
- Beam Angle:** 40°
- Beam Spread:** Flood
- Light Output:** 250 lumens
- Color:** Warm White
- Color Temperature:** 2900K
- Operating Voltage:** 12v
- CRI:** Ra>80
- LED Source:** BRIDGELUX 3030
- Halogen Equivalent:** 20w
- Rated Hours:** 20,000 hrs
- Ambient Operating Temperature:** -15°C - 40°C

Photometrics:

